

VEGABAR 17

4 ... 20 mA

Process pressure transmitter with metallic measuring cell



Area of application

The VEGABAR 17 pressure transmitter can be used universally for measurement of gases, vapours and liquids. The VEGABAR 17 is an economical solution for a multitude of applications in all areas of industry.

Advantages

- Low-cost version with very small mounting dimensions
- Universal use thanks to completely welded measuring cell
- High chemical resistance due to high quality diaphragm materials

Function

The heart of the pressure transmitter is the pressure measuring cell that transforms pressure into an electrical signal. This pressure-dependent signal is converted by the integrated electronics into a standardized output signal.

The metallic measuring cell allows fully welded versions and also covers higher measuring ranges. With measuring ranges up to 16 bar, a piezoresistive sensor element with internal transmission liquid is used. From 25 bar upwards, a strain gauge sensor element is used on the back side of the stainless steel diaphragm. This dry system works without additional isolating liquid.

Technical data

Measuring ranges	-1 ... +1000 bar/-100 ... +100000 kPa (-14.5 ... +14503 psig)
Smallest measuring range	0.1 bar/10 kPa (1.45 psig)
Deviation	< 0.5 %
Process fitting	Manometer connection G½ A, ½ NPT, thread from G½ B front-flush, hygienic fittings
Process temperature	-40 ... +150 °C (-40 ... +302 °F)
Ambient, storage and transport temperature	-40 ... +80 °C (-40 ... +176 °F)

Materials

The wetted parts of the instrument are made of 316L Ti and Hastelloy C4. The process seal consists of FKM, EPDM and NBR. You will find a complete overview of the available materials and seals in the "configurator" on our homepage under www.vega.com/configurator.

Housing versions

The housing is equipped with plug connector according to ISO 4400, M12 x 1 or with direct cable outlet. It is available with protection ratings up to IP 67.

Electronics versions

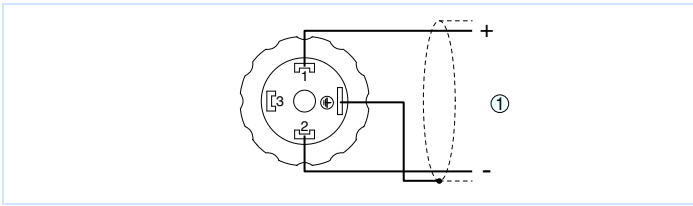
The instrument has a 4 ... 20 mA signal output.

Approvals

The instrument is suitable for use in hazardous areas and is approved e.g. according to ATEX and IEC. The instrument has also different ship approvals such as e.g. GL, LRS or ABS.

You can find detailed information on the existing approvals in the "configurator" on our homepage under www.vega.com/configurator.

Electrical connection

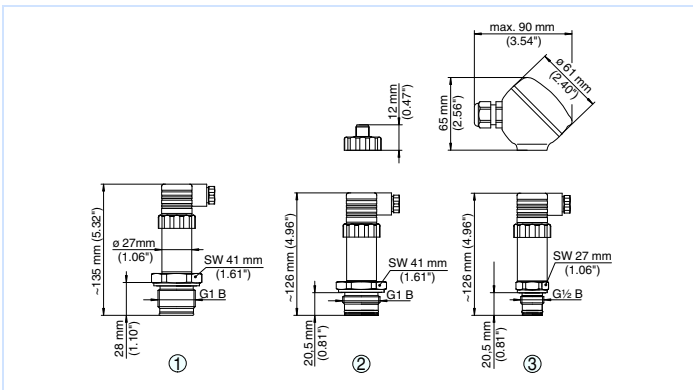


Wiring plan angle plug connector according to ISO 4400, top view to the connection on the instrument side

1 Voltage supply and signal output

You can find details on the electrical connection in the instrument operating instructions on our homepage at www.vega.com/downloads.

Dimensions



Dimensions VEGABAR 17

- 1 Threaded version G1 B, hygienic with angle plug connection DIN 43650
- 2 Threaded version G1 B, front-flush with plug connection M 12 x 1
- 3 Threaded version G $\frac{1}{2}$ B, front-flush with terminal housing

Information

You can find further information about the VEGA product line on our homepage www.vega.com.

In the download section under www.vega.com/downloads you'll find free operating instructions, product information, brochures, approval documents, instrument drawings and much, much more.

Instrument selection

With the "finder" you can select the most suitable measuring principle for your application: www.vega.com/finder.

You can find detailed information on the instrument versions in the "configurator" on our homepage under www.vega.com/configurator.

Contact

You can find the VEGA agency serving your area on our homepage www.vega.com.